



Port & Company® Grocery Tote B100



This tote has a wide bottom to fit bulky groceries. Four sides offer plenty of room for decoration.

- Durable 10-ounce, 100% cotton twill
- Cotton web handles reinforced with stress-point stitching
- Dimensions: 15.5"h x 13"w x 7"d; Approx. 1,411 cubic inches

Note: Bags not intended for use by children 12 and under. Includes a California Prop 65 and social responsibility [hangtag](#).

COLOR



Black
PMS BLACK 7 C



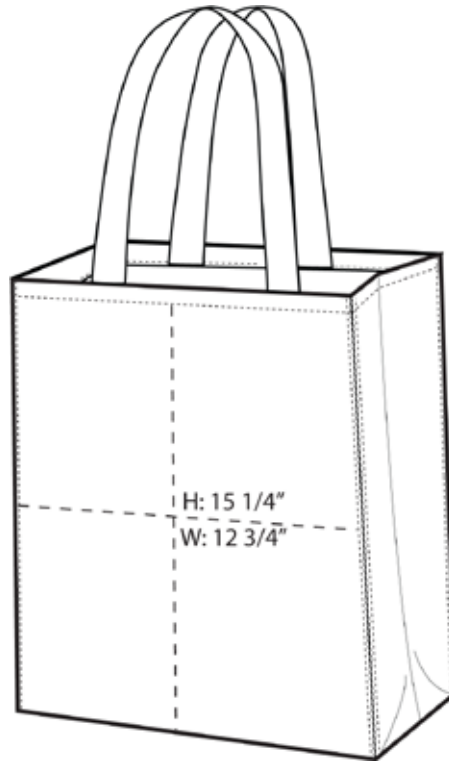
Natural
PMS 7500 C



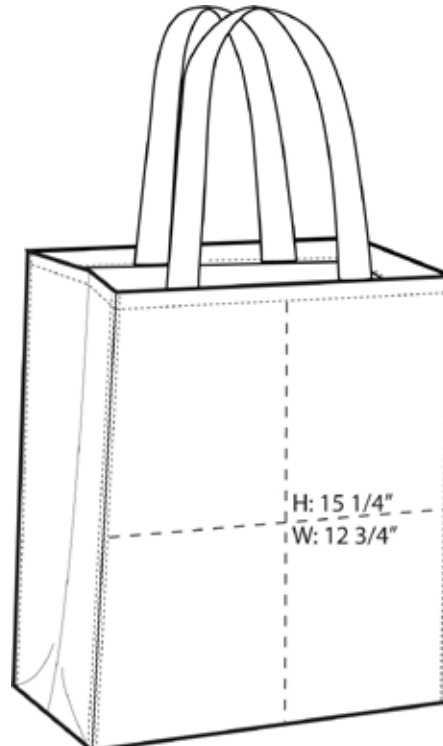
Navy
PMS 532 C



Hunter
PMS 447 C



Front View



Back View

Note: Best graphic placement should be per the embellisher/screen printer recommendations.